

Prices shown are not the final selling price.
To obtain the list price, multiply the price by 2.65.
Prices effective as May 2025.

TALENT
— By Alegre Design —



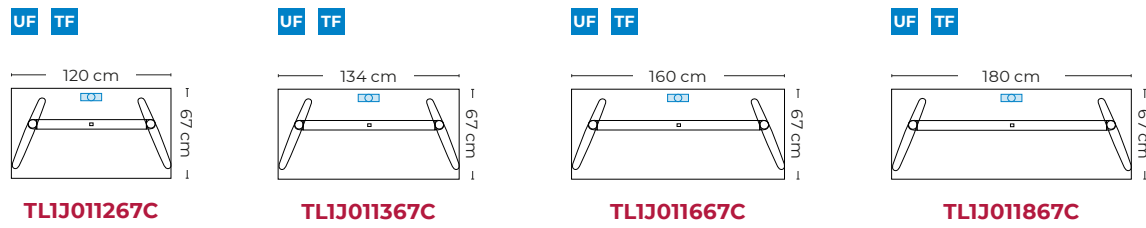
Talent Serie 300



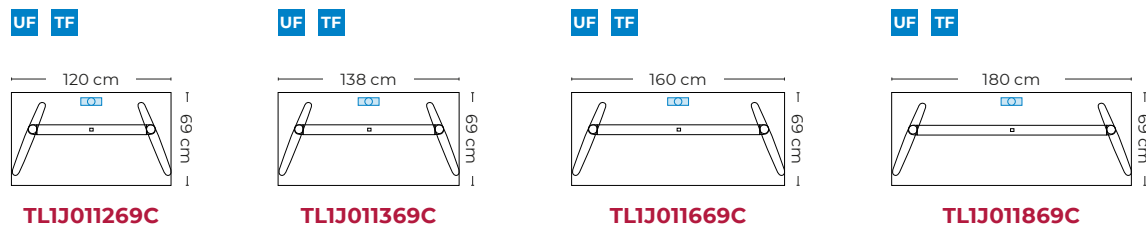
Table program

Talent 300 · Fixed desks with castors and folding desk-top

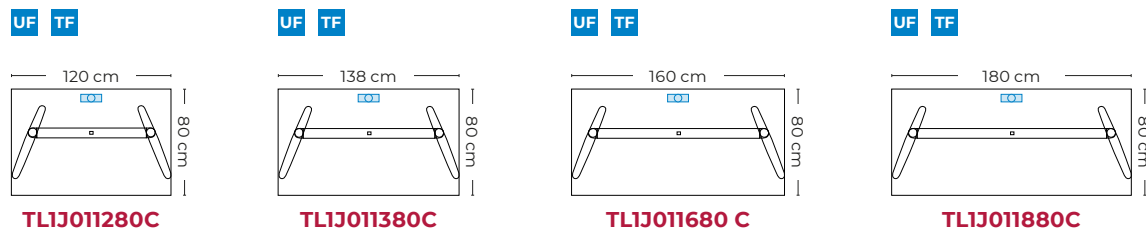
Straight desks · Width 67 cm



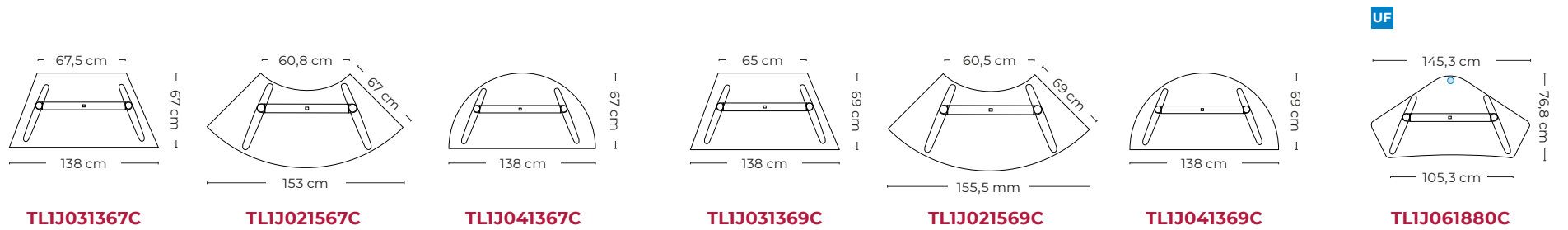
Straight desks · Width 69 cm



Straight desks · Width 80 cm



Collectivity desks · Width 67, 69 y 80 cm



Finishes available

Surface



Structure



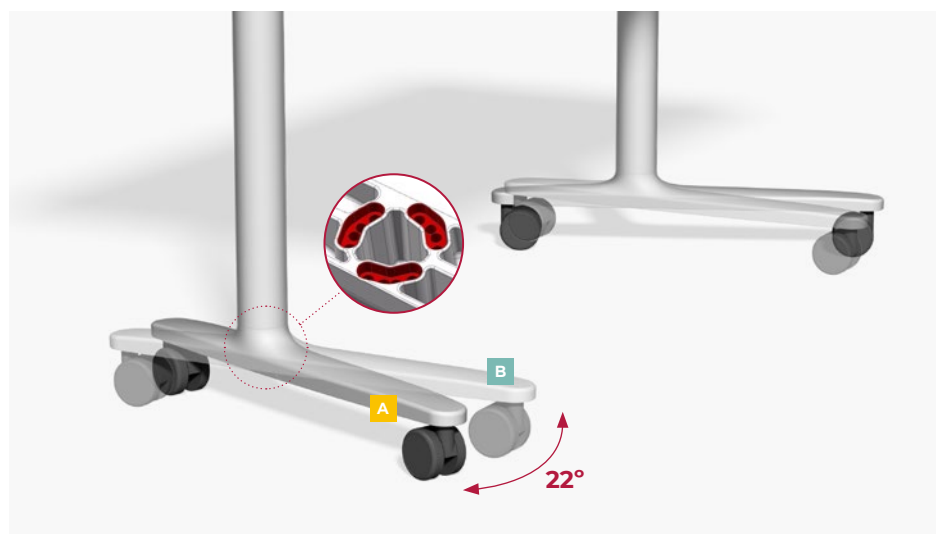
Talent Series 300 · Features, functionalities and add-ons



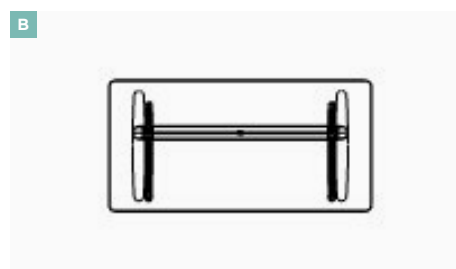
- 1** 25 mm melamine surface with PVC edge and rubber cushioning.
- 2** Folding desk top with locking/unlocking system.
- 3** Aluminum injection bracket in white and black finish with an epoxy paint coating.
- 4** Elbow for joining columns and beams in die-cast aluminum.
- 5** Polypropylene protective trim.
- 6** 73x70 and e=2 mm extruded aluminum recessed beam, with stop for safety support of the deck.
- 7** Extruded aluminum column Ø60 mm in white and black epoxy coated finish.
- 8** Aluminum injection molded feet in white and black finish coated with epoxy paint.
- 9** Stacking protection on feet.
- 10** Black castors of 65 mm diameter. 2 with brake and 2 without brake.

Placement of feet in angular position

The 300 series is offered as standard with a 22° inclined foot. This series offers the possibility to change the feet to a straight foot version by unscrewing the foot and placing the screws in the indicated position.



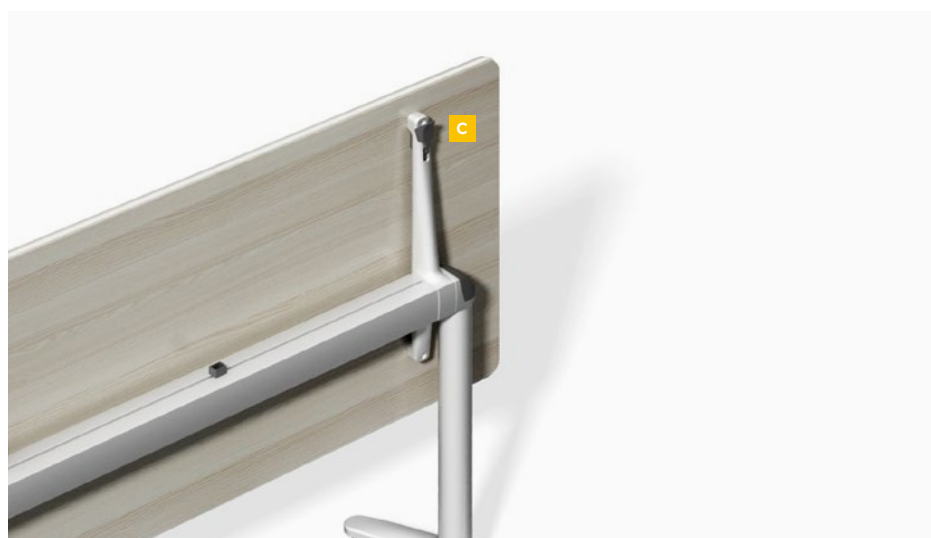
Foot placement at 22 degrees



Placement of the feet in an upright position

Board surface tiltability

The 300 series offers a folding system of the work surface, by means of a system in the brackets, with unlocking and locking position of the mechanism. At the same time, this folding system allows the tables to be stacked in a space-saving manner. The tables are equipped with a stacking protector at the feet.



Locking/unlocking system of the work surface folding in 2 positions.



Hinged skirt anchored to melamine-finished board.

Accessories

Cable management



Ø80mm "U" wiring access.



Push Latch "T" wiring access.



Metallic tray with access to "T" wiring.



Flexible polypropylene cable riser.

Folding modesty panel



Melamine skirt

Linking of desks



Quick linking. The desks are prepared to be linked laterally and frontally. They are fixed using a e=4mm plastic bracket

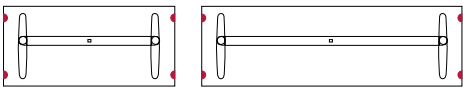
Joining system · Talent Series 100 & 300

Talent, in its 100 and 300 series, allows a fast system of Linking of desks, so that different configurations can be made, achieving that the tables have stability and there are no undesired movements in their use. The tables are prepared to be joined laterally and frontally, by means of a plastic clamp of e= 4mm, which has a fast and simple system of union.

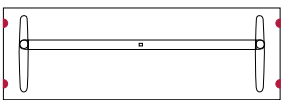


Table models with connecting systems

Talent Series 100 · Fixed desks with levelers · Side connection

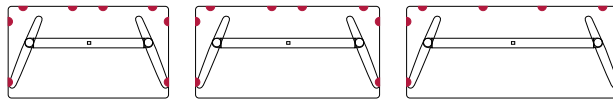


60 cm wide Straight desks

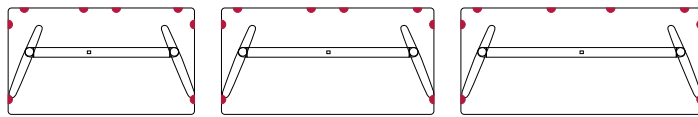


69 cm wide Straight desks

Talent Series 300 · Fixed desks with castors and hinged top · Side and front connection

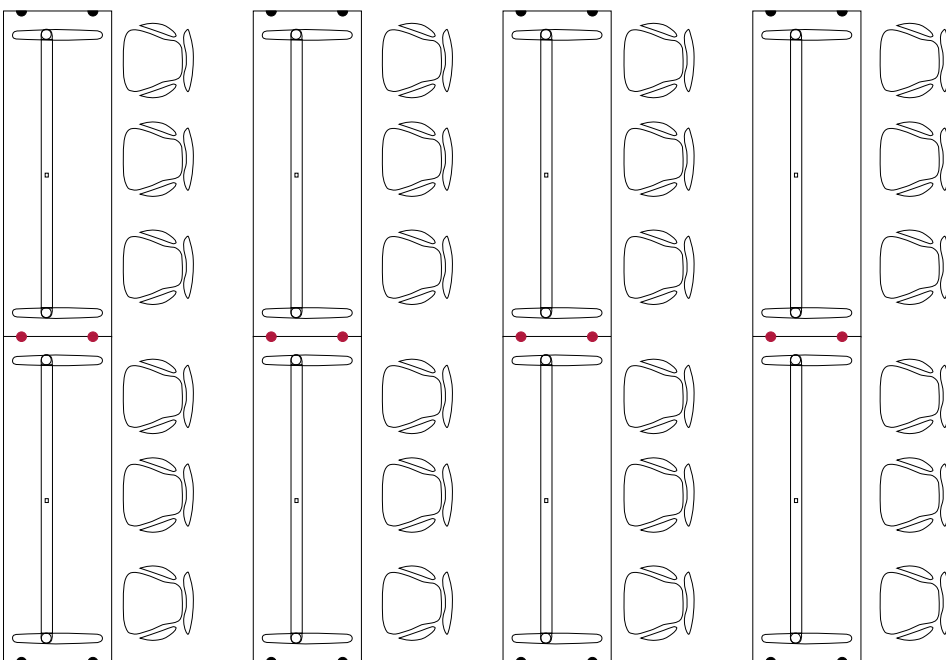


67 and 69 cm wide Straight desks

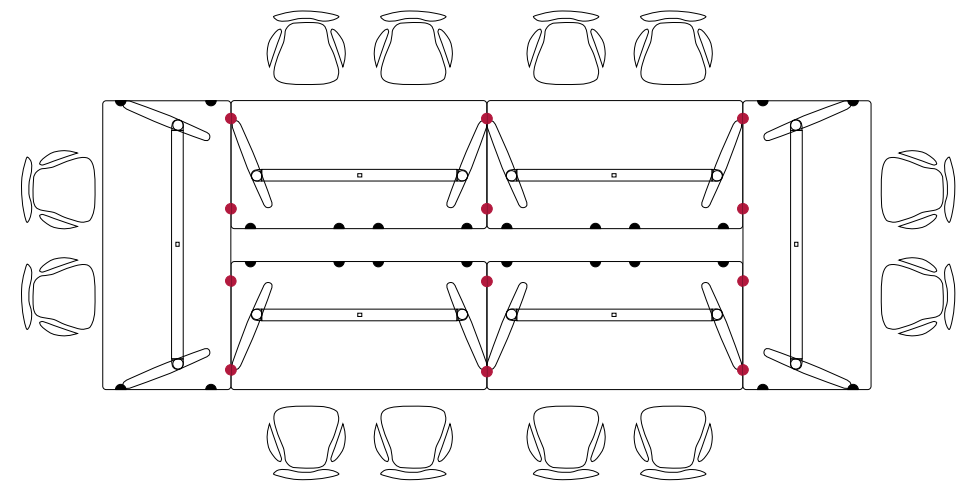


80 cm wide Straight desks

Configuration examples





Lateral joints



Side and front connections

Access to cabling and connections

How to order tables with overhead wiring access

| WIRING ACCESS U | WIRING ACCESS T |
|---|--|
|  |  |
| <p>Polypropylene cover with a diameter of 80 mm for the passage of wiring to the lower part. The upper part incorporates a small flange for the passage of small wiring and allows the complete cover to be removed for the passage of a large amount of wiring.</p> <ul style="list-style-type: none"> - To request a table with higher access to wiring must be added: <ul style="list-style-type: none"> - Access wiring U: the letter U at the end of the requested reference. - The models that incorporate these accesses in a standardized manner show the corresponding icon or icons next to their reference. - The price of the tables with WIRING ACCESS will be increased for each unit incorporated, according to the price indicated in the table below.. - To order other tables with access to wiring that do not have standardized outlets (they will not contain any icon), consult with the sales department. | <p>Wiring access system with "Push Latch" opening system. Made of ABS. Incorporates "Anti-Dust" system that avoids dust accumulation in the wiring area..</p> <ul style="list-style-type: none"> - To request a table with higher access to wiring must be added: <ul style="list-style-type: none"> - Access wiring U: the letter U at the end of the requested reference. - The models that incorporate these accesses in a standardized manner show the corresponding icon or icons next to their reference. - The price of the tables with WIRING ACCESS will be increased for each unit incorporated, according to the price indicated in the table below.. - To order other tables with access to wiring that do not have standardized outlets (they will not contain any icon), consult with the sales department. |

Surface / structure combinations

| Surface / Structure combinations | WIRING ACCESS T U | | |
|--|--------------------------|------------|-------|
| | White | Aluminized | Black |
| <p>Surface: White Structure: Any finish</p> | | | |
| <p>Surface: Any finish (less white) Structure: White</p> | | | |
| <p>Surface: Any finish (less white) Structure: Black</p> | | | |

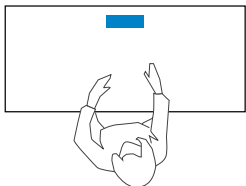
Superior cable access location to cabling and connections

Rectangular desks - 60, 67,69 and 80 cm wide

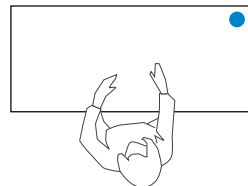
Front access

Right access

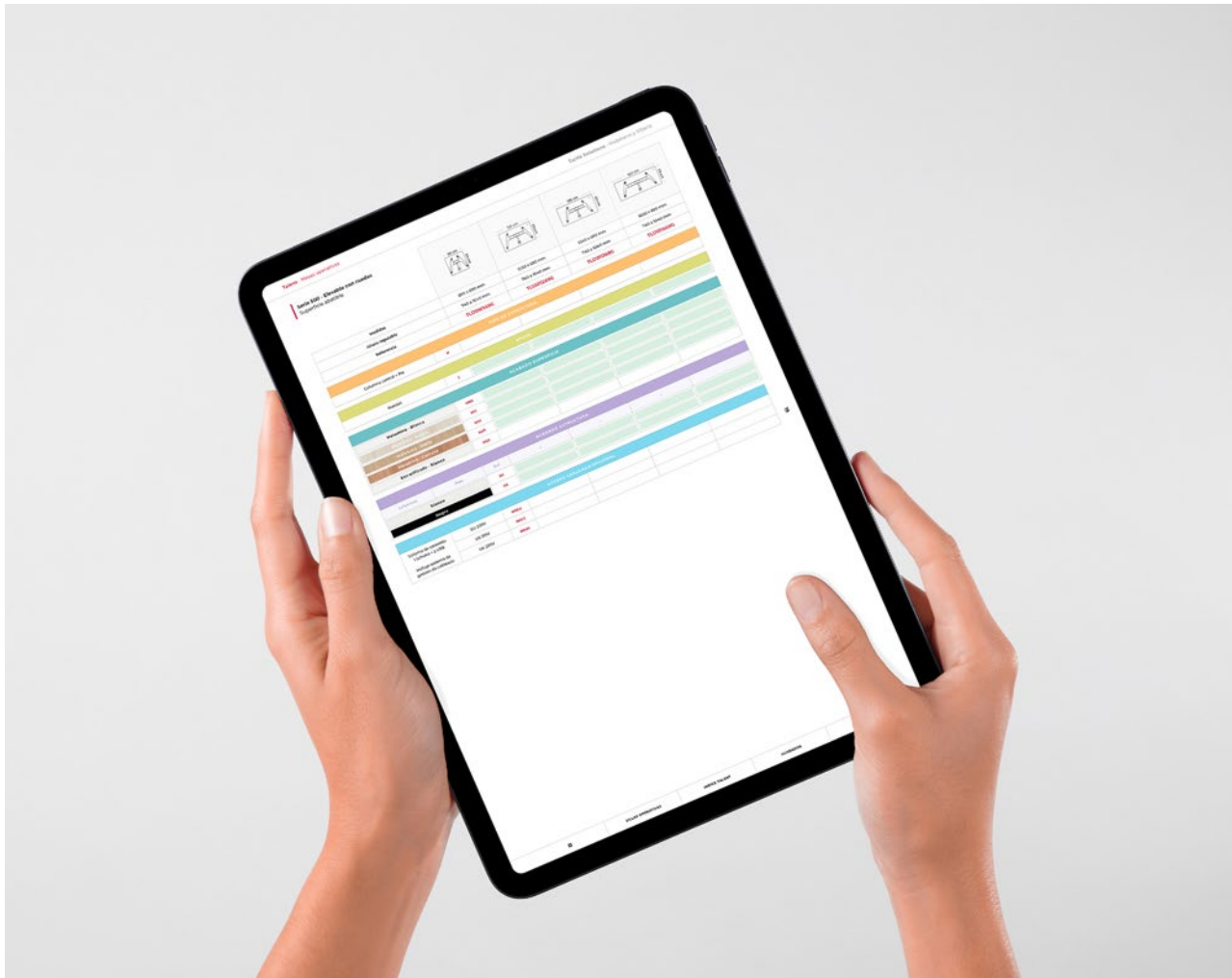
UF TF



NR



How to code a reference correctly



- 1 At the beginning of the coding and price tables of our price list, you will find the available models and their prices, as well as the basic reference of the product.
- 2 The system is designed to code vertically, adding desired components to the product by selecting the reference digits. Creating a correlation that will form the final order reference.
- 3 The finishes of arms, bases, optional complements, supports and upholstery will be shown in different colors so that the location of their reference and price is intuitive.
- 4 At the end of each table we will have legends or informative notes about the product being offered. Please read carefully to avoid confusion or mistakes when ordering.
- 5 This catalog has an interactive menu that will facilitate the user's navigation. It is located at the bottom of each page and from it you can go to the index, go back or even navigate within the family and the product displayed.

Example of reference configuration for an order

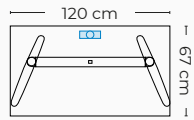
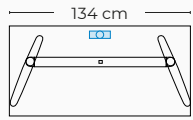
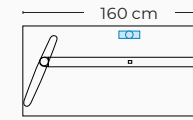
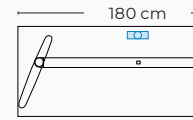
| MODEL | |
|--|-------------|
| Talent · Series 500 | TL1 |
| Single straight table with folding top | J01 |
| Measures: 138 x 69 cm | 1369 |
| Gas height adjustment: 74 to 104 cm | G |
| TYPE OF STRUCTURE | |
| Central column + Foot | H |
| SUPPORT | |
| Wheels | J |
| SURFACE FINISH | |
| MFC · Light Oak | M10 |
| STRUCTURE FINISH | |
| White | 00 |
| FINAL CONFIGURATION REFERENCE | |
| TLIJ011369G H J M10 00 | |



Comprehension legend

| | | | |
|--|---|--|-----------------------------------|
| | Required for reference configuration. Does not increase the cost | | Combination not available |
| | Upholstery with service conditions. Go to the finishing page | | Removed after stocks are depleted |

* The final cost of the module will be obtained starting from the established base price and adding to it the cost of the different complements that are added to it.

| | | | | | |
|---|---|---|---|---|--------------------|
| Talent Serie 300 · Width 67 cm Desk with folding top surface with castors |  |  |  |  | |
| | MEASURES | 120 x 67 cm | 134 x 67 cm | 160 x 67 cm | 180 x 67 cm |
| | HEIGHT | 74 cm | 74 cm | 74 cm | 74 cm |
| | REFERENCE | TL1J011267C | TL1J011367C | TL1J011667C | TL1J011867C |

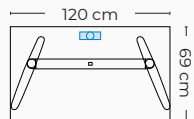
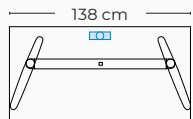
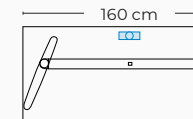
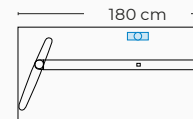
| TYPE OF STRUCTURE | | | | | |
|---------------------|----------|--------|--------|--------|--------|
| Lateral "I" columns | J | 709,80 | 726,60 | 795,20 | 819,00 |

| SUPPORT | | | | | |
|---------|----------|--|--|--|--|
| Castors | J | | | | |

| SURFACE FINISH | | | | | |
|------------------------------|------------|--|--|--|--|
| MDF · Black Anti-Fingerprint | M03 | | | | |

| STRUCTURE FINISH | | | | | |
|------------------|-------|-----------|---|---|---|
| Columns | Feets | Ref. | ↓ | ↓ | ↓ |
| White | | 00 | | | |
| Black | | 08 | | | |

| OPTIONAL WIRING ACCESS | | | | | |
|------------------------|-----------|---------|---------|---------|---------|
| MFC and MDF | UF | + 25,20 | + 25,20 | + 25,20 | + 25,20 |
| | TF | + 39,20 | + 39,20 | + 39,20 | + 39,20 |

| | | | | | |
|---|---|---|---|---|--------------------|
| Talent Serie 300 · Width 69 cm Desk with folding top surface with castors |  |  |  |  | |
| | MEASURES | 120 x 69 cm | 138 x 69 cm | 160 x 69 cm | 180 x 69 cm |
| | HEIGHT | 74 cm | 74 cm | 74 cm | 74 cm |
| | REFERENCE | TL1J011269C | TL1J011369C | TL1J011669C | TL1J011869C |

| TYPE OF STRUCTURE | | | | | |
|---------------------|----------|--------|--------|--------|--------|
| Lateral "I" columns | J | 617,40 | 635,60 | 655,20 | 679,00 |

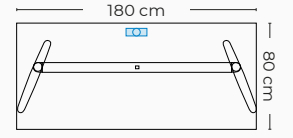
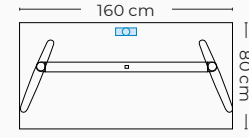
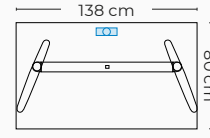
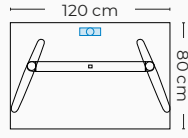
| SUPPORT | | | | | |
|---------|----------|--|--|--|--|
| Castors | J | | | | |

| SURFACE FINISH | | | | | |
|-----------------|------------|--|--|--|--|
| MFC · White | M00 | | | | |
| MFC · Lime Oak | M11 | | | | |
| MFC · Light Oak | M10 | | | | |
| MFC · Chestnut | M07 | | | | |

| STRUCTURE FINISH | | | | | |
|------------------|-------|-----------|---|---|---|
| Columns | Feets | Ref. | ↓ | ↓ | ↓ |
| White | | 00 | | | |
| Black | | 08 | | | |

| OPTIONAL WIRING ACCESS | | | | | |
|------------------------|-----------|---------|---------|---------|---------|
| MFC and MDF | UF | + 25,20 | + 25,20 | + 25,20 | + 25,20 |
| | TF | + 39,20 | + 39,20 | + 39,20 | + 39,20 |

Talent Serie 300 · Width 80 cm
Desk with folding top surface with castors



| | | | | |
|------------------|--------------------|--------------------|--------------------|--------------------|
| MEASURES | 120 x 80 cm | 138 x 80 cm | 160 x 80 cm | 180 x 80 cm |
| HEIGHT | 74 cm | 74 cm | 74 cm | 74 cm |
| REFERENCE | TL1J011280C | TL1J011380C | TL1J011680C | TL1J011880C |

TYPE OF STRUCTURE

| | | | | | |
|---------------------|----------|--------|--------|--------|--------|
| Lateral "I" columns | J | 639,80 | 658,00 | 677,60 | 711,20 |
|---------------------|----------|--------|--------|--------|--------|

SUPPORT

| | | | | | |
|---------|----------|--|--|--|--|
| Castors | J | | | | |
|---------|----------|--|--|--|--|

SURFACE FINISH

| | | | | | |
|------------------------------|------------|----------|----------|----------|----------|
| MFC · White | M00 | | | | |
| MFC · Lime Oak | M11 | | | | |
| MFC · Light Oak | M10 | | | | |
| MFC · Chestnut | M07 | | | | |
| MDF · Black Anti-Fingerprint | M03 | + 121,80 | + 161,00 | + 161,00 | + 161,00 |

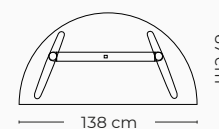
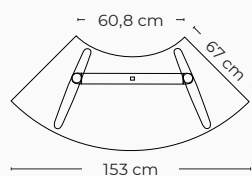
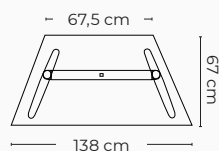
STRUCTURE FINISH

| Columns | Feets | Ref. | ↓ | ↓ | ↓ |
|---------|-------|-----------|---|---|---|
| White | | 00 | | | |
| Black | | 08 | | | |

OPTIONAL WIRING ACCESS

| | | | | | |
|-------------|-----------|---------|---------|---------|---------|
| MFC and MDF | UF | + 25,20 | + 25,20 | + 25,20 | + 25,20 |
| | TF | + 39,20 | + 39,20 | + 39,20 | + 39,20 |

Talent Serie 300 · Width 67 cm
Meet desks with folding top surface with castors



| | | | |
|------------------|--------------------------------|----------------------------|---------------------------------|
| MEASURES | Trapezoidal desk · 138 x 67 cm | Curved desk · Width 670 mm | Semicircular desk · 138 x 67 cm |
| HEIGHT | 74 cm | 74 cm | 74 cm |
| REFERENCE | TL1J031367C | TL1J021567C | TL1J041367C |

TYPE OF STRUCTURE

| | | | | |
|---------------------|----------|--------|--------|--------|
| Lateral "I" columns | J | 744,80 | 855,40 | 744,80 |
|---------------------|----------|--------|--------|--------|

SUPPORT

| | | | | |
|---------|----------|--|--|--|
| Castors | J | | | |
|---------|----------|--|--|--|

SURFACE FINISH

| | | | | |
|------------------------------|------------|--|--|--|
| MDF · Black Anti-Fingerprint | M03 | | | |
|------------------------------|------------|--|--|--|

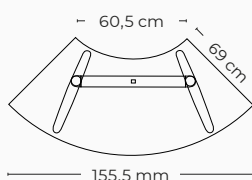
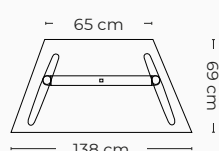
STRUCTURE FINISH

| Columns | Feets | Ref. | ↓ | ↓ | ↓ |
|---------|-------|-----------|---|---|---|
| White | | 00 | | | |
| Black | | 08 | | | |

OPTIONAL WIRING ACCESS

| | | | | |
|-------------|-----------|---------|--|--|
| MFC and MDF | UF | + 25,20 | | |
| | TF | + 39,20 | | |

Talent Serie 300 · Width 69 cm
Meet desks with folding top surface with castors



| | | | |
|-------------------|--------------------------------|----------------------------|---------------------------------|
| MEDIDAS | Trapezoidal desk · 138 x 69 cm | Curved desk · Width 690 mm | Semicircular desk · 138 x 69 cm |
| ALTURA | 74 cm | 74 cm | 74 cm |
| REFERENCIA | TL1J031369C | TL1J021569C | TL1J041369C |

TYPE OF STRUCTURE

| | | | | |
|---------------------|----------|--------|--------|--------|
| Lateral "I" columns | J | 652,40 | 695,80 | 652,40 |
|---------------------|----------|--------|--------|--------|

SUPPORT

| | | | | |
|---------|----------|--|--|--|
| Castors | J | | | |
|---------|----------|--|--|--|

SURFACE FINISH

| | | | | |
|-----------------|------------|--|--|--|
| MFC · White | M00 | | | |
| MFC · Lime Oak | M11 | | | |
| MFC · Light Oak | M10 | | | |
| MFC · Chestnut | M07 | | | |

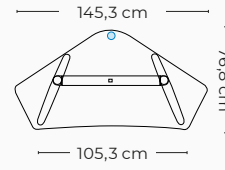
STRUCTURE FINISH

| Columns | Feets | Ref. | ↓ | ↓ | ↓ |
|---------|-------|-----------|---|---|---|
| White | | 00 | | | |
| Black | | 08 | | | |

OPTIONAL WIRING ACCESS

| | | | | |
|-------------|-----------|---------|--|--|
| MFC and MDF | UF | + 25,20 | | |
| | TF | + 39,20 | | |

Talent Serie 300 · Width 67 cm
Gen meet desks with folding top surface
with castors



| | |
|-----------|---------------------------|
| MEASURES | 120° desk · Width 76,8 cm |
| HEIGHT | 74 cm |
| REFERENCE | TL1J061880C |

| TYPE OF STRUCTURE | | |
|------------------------|----------|--------|
| Columnas laterales "I" | J | 781,20 |

| SUPPORT | | |
|---------|----------|--|
| Castors | J | |

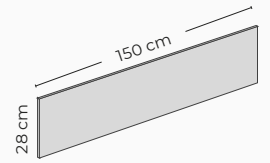
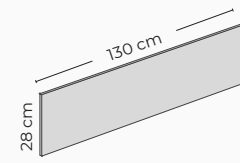
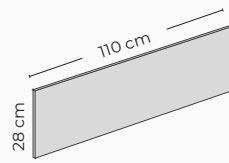
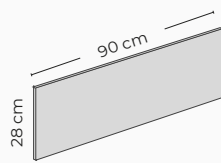
| SURFACE FINISH | | |
|------------------------------|------------|----------|
| MFC · White | M00 | |
| MFC · Lime Oak | M11 | |
| MFC · Light Oak | M10 | |
| MFC · Chestnut | M07 | |
| MDF · Black Anti-Fingerprint | M03 | + 161,00 |

| STRUCTURE FINISH | | | |
|------------------|-------|-----------|--|
| Columns | Feets | Ref. | |
| White | | 00 | |
| Black | | 08 | |

| OPTIONAL WIRING ACCESS | | |
|------------------------|-----------|---------|
| MFC and MDF | UF | + 25,20 |

Accessories · Talent Serie 300


Modesty panels · Series 300
Straight individual tables



| | | | | |
|---------------|--|--|--|--|
| MEASURES | 90 x 28 cm | 110 x 28 cm | 130 x 28 cm | 150 x 28 cm |
| COMPATIBILITY | 120 cm length straight individual tables | 134 and 138 cm length straight individual tables | 160 cm length straight individual tables | 180 cm length straight individual tables |
| PACKS | Pack 1 unit | Pack 1 unit | Pack 1 unit | Pack 1 unit |
| REFERENCE | XTLFA30928 | XTLFA31128 | XTLFA31328 | XTLFA31528 |

| STRUCTURE FINISH | | | | |
|------------------|-----------|-------|-------|-------|
| White | 00 | 79,80 | 82,60 | 84,00 |
| Black | 08 | | | 86,80 |


| SURFACE FINISH | | | | |
|----------------|------------|--|--|--|
| White | M00 | | | |
| Lime Oak | M11 | | | |
| Light Oak | M10 | | | |
| Chestnut | M07 | | | |
| Black | M08 | | | |

| | |
|---|---|
| Cable risers Flexible polystyrene |  |
| MEASURES | 800 x 40,5 mm / Ø 70 mm |
| MINIMUM UNITS ORDER | 3 units · Price for 1 unit |
| REFERENCE | 39525 |

| FLEXIBLE POLYSTYRENE FINISH | | |
|-----------------------------|---|-------|
| White | 0 | 28,00 |
| Black | 8 | |

| | | |
|------------------------|--|-------------|
| Cable container |  | |
| MODEL | Electrical accessory tray, for "T" wiring access | |
| MEASURES | 31,5 x 9,9 x 11,3 cm | |
| PACKS | Pack 1 unit | Pack 2 unit |
| REFERENCE | T11 | T12 |

| STRUCTURE FINISH | | |
|------------------|---|--------|
| White | 0 | 56,00 |
| Black | 8 | 106,40 |

| | | |
|------------------------------|---|--|
| Linking device system |  | |
| MODEL | Quick joining system. The desks are prepared to be easily joined laterally and frontally. | |
| FEATURES | Anchorage by means of plastic clamp of e= 4mm. Use with any Talent 100 Series table. | |
| PACKS | Pack 10 units | |
| REFERENCE | X08 | |

| ABS | | |
|-------|---|-------|
| Black | 8 | 57,40 |