

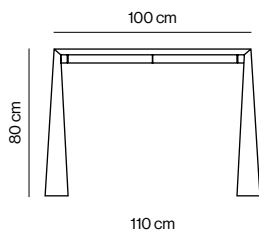
Naruk

Manufacturer: Kendo, Spain

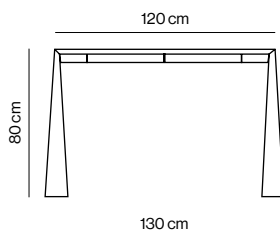
Naruk Vicente Gallega

Collection of consoles and mirror made in lacquered MDF, veneered in oak or walnut. Optionally the underside of the top has two swiveling trays integrated in the structure. It is also available without trays.

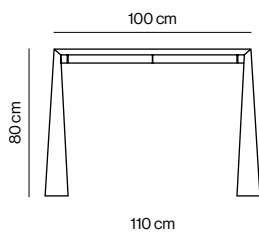
Console tables



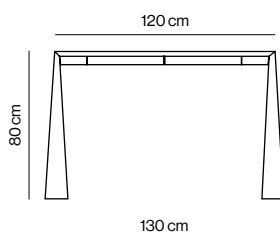
NY-13 SB	110x35x80 cm	Without trays	0,437 m ³	22 Kg
Lacquer				3133 C\$
Oak				4447 C\$
Walnut				4643 C\$



NY-33 SB	130x35x80 cm	Without trays	0,546 m ³	25 Kg
Lacquer				3356 C\$
Oak				4662 C\$
Walnut				4866 C\$



NY-13	110x35x80 cm	With trays	0,437 m ³	22 Kg
Lacquer				4071 C\$
Oak				5108 C\$
Walnut				5319 C\$



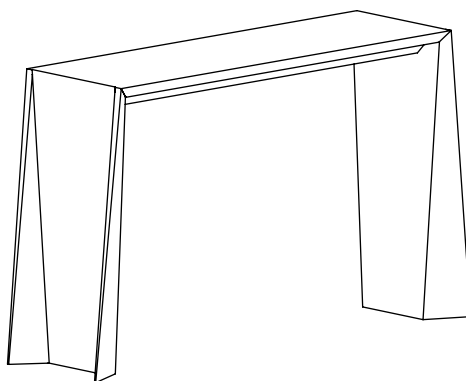
NY-33	130x35x80 cm	With trays	0,546 m ³	25 Kg
Lacquer				4205 C\$
Oak				5334 C\$
Walnut				5522 C\$

Naruk

Manufacturer: Kendo, Spain

Naruk | Finishes

Approximate colours



Stone lacquer
RAL 7044

Sand lacquer
NCS S2005-Y20R

Taupe lacquer
NCS S4005-Y20R

Graphite lacquer
RAL 7022

Slate lacquer
NCS S8500-N

Black lacquer



Fog lacquer
NCS S5005-B20G

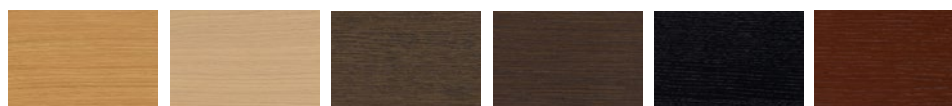
Ocean lacquer
NCS S7010-B10G

White lacquer

Russet lacquer
NCS S4050-Y70R

Fir lacquer
NCS S7010-G10Y

Burgundy lacquer
RAL 8015



Natural oak

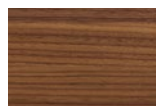
Light oak

Ash oak

Toasted oak

Black oak

Burgundy oak



Natural walnut

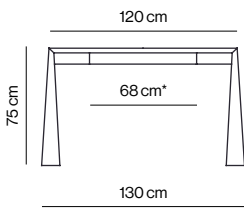
Naruk

Manufacturer: Kendo, Spain

Naruk Vicente Gallega

Collection of desks made in veneered in oak or walnut MDF. The underside of the top has a removable drawer integrated in the structure, with a useful drawer space of 65x32x4 cm.

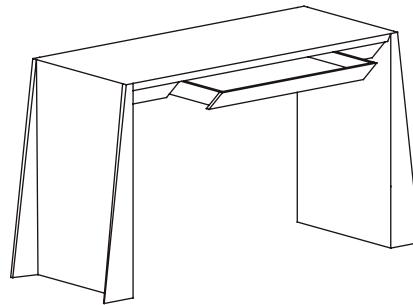
Desks



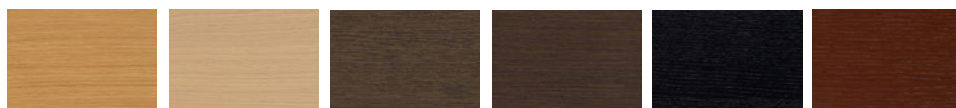
*drawer's inner room: 65x32x4 cm

NP-35	130x50x75 cm	0,656 m ³	38 Kg
Oak			6893 C\$
Walnut			7182 C\$

Finishes



Approximate colours



Natural oak

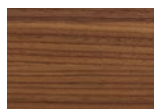
Light oak

Ash oak

Toasted oak

Black oak

Burgundy oak



Natural walnut



Tusch Seating International Inc.

251 Bartley Dr. Unit #4

Toronto, ON M4A 2N7 Canada

www.tuschseating.com

T 416.368.6100

F 416.368.4477

T 888.368.6101

info@tuschseating.com