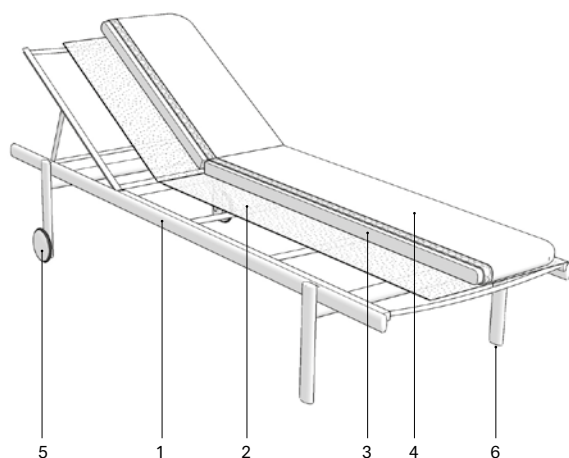


Up.

Studio expormim, 2020

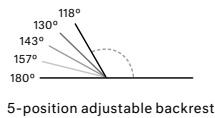
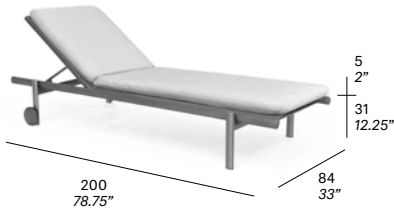
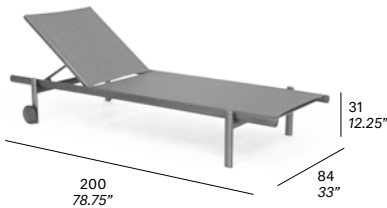
Collection made of high resistance extruded aluminum tube. Possibility of customization through a wide variety of self-supporting mesh fabrics completely suitable for outdoor use. Stackable collection.



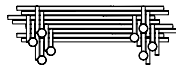
- 1 Structure made of high resistance extruded aluminum tube finished with polyester powder.
- 2 Seat and backrest frame provided with self-supporting mesh fabric. Upholstery comes in:
 - Sunbrella Sling
 - Batyline Eden
- 3 Expanded poliurethane seat cushion with removable waterproof and fireproof cover made of polyester with special anti-mould and anti-bacterial treatment.
- 4 Removable seat cushion upholstered in G21, G22, G23 technical fabrics.
- 5 Wheels.
- 6 Injected PA spacers.

REF	ARTICLE	OPTIONS	TOTAL (CAD\$)
-----	---------	---------	---------------

C200 Chaise longue with wheels



5-position adjustable backrest



Max. 8 stacking without cushions

frame 3,579
· 100 FT white, 111 FT graphite

upholstery *
· umbrella Sling, Batyline Eden

cushions
· G21 4,719
· G22 4,863
· G23 5,160
· COM (1,40 / 1,50 > 2,50 m) 4,479

protective cover +1,008

9,5 kg — 27 kg / 0,90 m² — (P) — (G)

* included in price

COM Orders are subject to following charges per manufacturer: \$18 per yard (any fabric) - Minimum: \$200.



Tusch Seating International Inc.
251 Bartley Dr. Unit #4
Toronto, ON M4A 2N7 Canada
www.tuschseating.com

T 416.368.6100
F 416.368.4477
T 888.368.6101
info@tuschseating.com