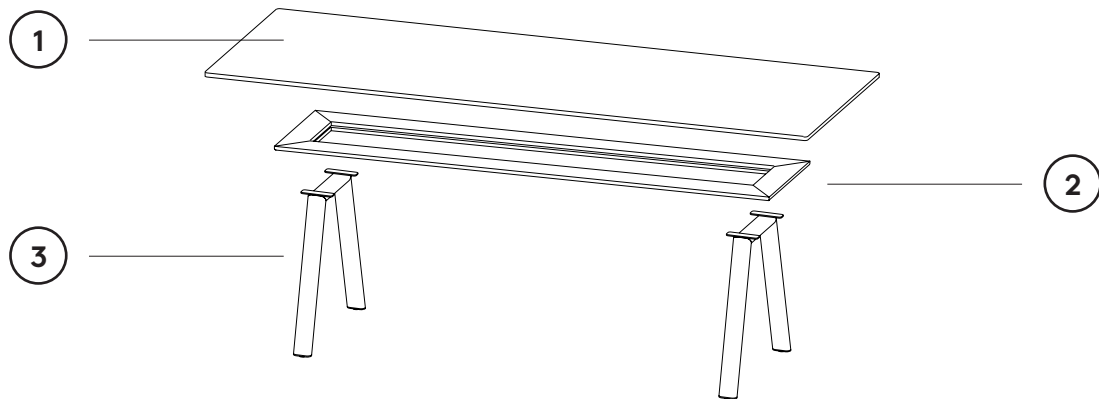


PLANIA TABLE

By INCLASS

CONFIGURATION GUIDE - TABLES WITH ONE-PIECE TOP



1 SELECT THE SIZE, MATERIAL AND FINISH OF THE TABLETOP

The tabletops are available in the following materials:

Oak natural/stained	Walnut natural	Lacquered MDF colours W1	Lacquered MDF colours W2	Solid HPL 12mm*	Solid FENIX® 12mm*	FENIX® laminated
-------------------------------	--------------------------	------------------------------------	------------------------------------	---------------------------	------------------------------	----------------------------

The price matrix shows the prices in the different sizes, materials and finishes.

2 ADD THE STRUCTURAL FRAME OF YOUR TABLE AND ITS FINISH

Select the appropriate aluminum structural frame for your top size.
The structural frame is finished in the same colour as the metal parts of the legs.

The price varies depending on the size and finish chosen.

The price matrix shows the price in the different sizes and metal finishes:

Colours M1	Colours M2
-------------------	-------------------

3 SELECT THE TYPE AND FINISH OF THE TRESTLES LEGS

There are 2 types of trestles legs available: aluminum tube or wooden legs.

ML01 Aluminum tube legs:

The Price varies depending on the finish chosen.

The price matrix shows the price according to the different metal finishes:

Colours M1	Colours M2
-------------------	-------------------

WL01 Wooden legs:

The price matrix shows the price in the different types of wood:

The metal parts of the wooden legs are painted in the same colour as the structural frame of the table.

Oak natural/stained	Walnut natural
-------------------------------	--------------------------

ADD THE NUMBER OF LEG TRESTLES REQUIRED

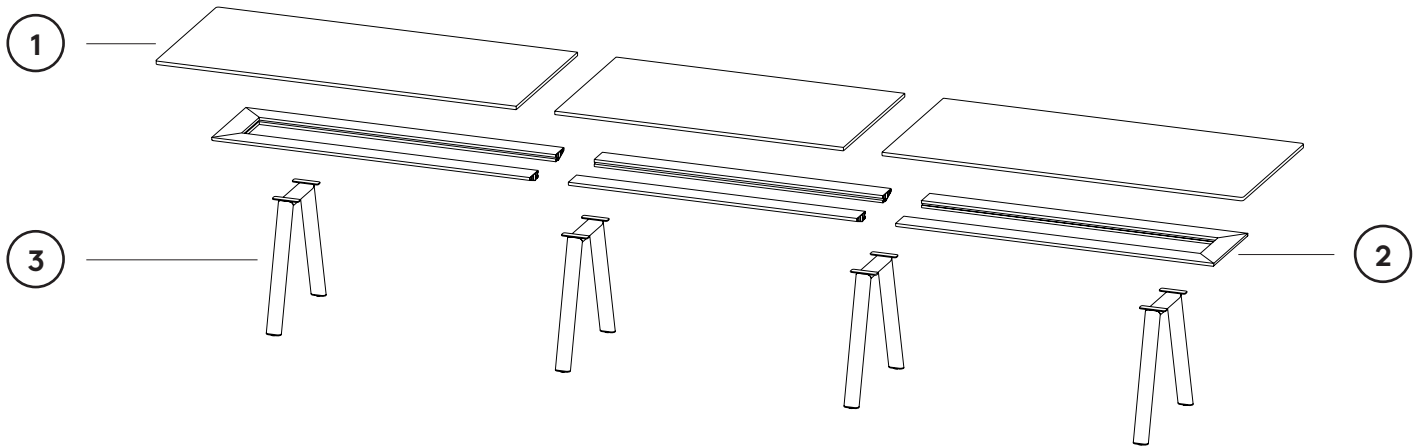
The matrix bellow shows the number of trestle legs needed depending on the size and height of your table.

Table size	Table H.75cm N° of trestle legs	Table H.90cm N° of trestle legs	Table H.104cm N° of trestle legs
180x90cm	2	2	2
200x90cm	2	2	2
240x90cm	2	2	2
280x90cm	2	2	3
320x90cm	2	3	3
200x120cm	2	2	2
240x120cm	2	2	2
280x120cm	2	2	3
320x120cm	2	3	3

+ OPTIONAL ITEMS & ACCESSORIES

PLANIA tables can be customized with different electrification and cable management accessories. If you need any, indicate it in the order.

CONFIGURATION GUIDE - MODULAR TABLES WITH TOPS BY SECTIONS



1 SELECT THE TABLETOP SECTIONS FOR THE TABLE. THE MATERIAL AND ITS FINISH.

Choose two end side tops and if needed one or more intermediate tops. Select the material and finish of the tops. The tops are available in the following materials:

Oak natural/stained	Walnut natural	Lacquered MDF colours W1	Lacquered MDF colours W2	Solid HPL 12mm*	Solid FENIX® 12mm*	FENIX® raminated
-------------------------------	--------------------------	------------------------------------	------------------------------------	---------------------------	------------------------------	----------------------------

The price matrix shows the prices in the different sizes, materials and finishes.

2 ADD THE STRUCTURAL FRAMES FOR THE TOP SECTIONS AND THEIR FINISH.

Select the required aluminum structural frames for the different top sections. There are 2 types: frames for end side tops and frames for intermediate tops. The structural frames are finished in the same colour as the legs.

The price varies depending on the size and finish chosen.

The price matrix shows the price in the different sizes and metallic finishes available:

Colours M1

Colours M2

3 SELECT THE TYPE AND FINISH OF THE TRESTLES LEGS.

There are 2 types of trestles legs available: aluminum tube or wooden legs.

ML01 Aluminum tube legs:

The Price varies depending on the finish chosen.

The price matrix shows the price according to the different metal finishes:

Colours M1

Colours M2

WL01 Wooden legs:

The price matrix shows the price in the different types of wood:

The metal parts of the wooden legs are painted in the same colour as the structural frame of the table.

Oak
natural/stained

Walnut
natural

ADD THE NUMBER OF TRESTLE LEGS REQUIRED

A modular table with sectional tops requires a trestle leg for each end side top and one leg trestle at the joint of each top section.

+ OPTIONAL ITEMS & ACCESSORIES (page 369)

PLANIA tables can be customized with different electrification and cable management accessories. If you need any, indicate it in the order.

***Remark:** In order to avoid mistakes, it is necessary to attach a sketch of the composition to the order.