

Prices shown are not the final selling price.
To obtain the list price, multiply the price by 3.25.
Prices effective as August 2022.

POWER

—By ITEMDesign Works—

TS Tusch
Seating
International

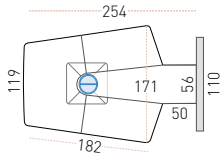




POWER DESK - 300 SERIES

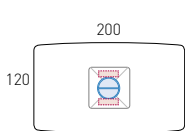


VIDEO-CONFERENCE TABLE

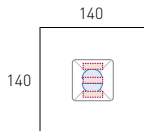


PV91 **D**

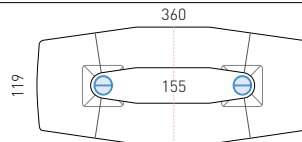
MEETING TABLES



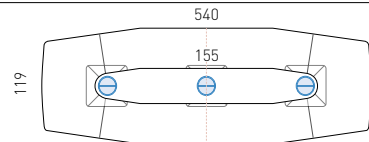
PV17 **D Q R**



PV43 **D Q R QC RC**



PV48 **D**



PV58 **D**

Optional Access to wiring Included Access to wiring

TECHNICAL CHARACTERISTICS OF THE POWER RANGE - 300 SERIES

■ STRUCTURE

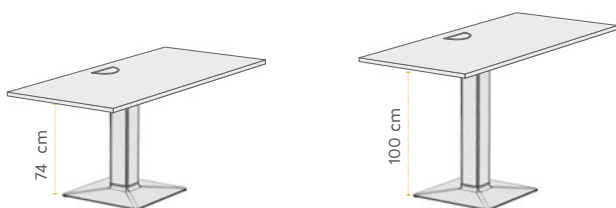


- ① **Structure** realized in melamine board of 25/30 mm of thickness, like support of the work surface.
- ② **Lower container** made of 6 mm-thick steel sheet, with a large capacity for cable accesses.
- ③ **Column:**
 - Fixed Desks: 150 x 150 mm extruded aluminium.
 - Electronic Elevation Desks: Adjustable steel tube leg composed of one 137 x 137 mm section, plus a 150 x 150 mm extruded aluminium cover.
- ④ **Base**: 610 x 610 mm square base, made of die-cast aluminium. Levellers made of PP. It include counterweight for greater stability.
- ⑤ **Work Surface**, made of 25 mm melamine with 2 mm thick edges, applied with hot melt adhesive and rounded to R = 2 mm; 13 mm phenolic or 10 mm crystal. Rounded corners. Different finishes.
- ⑥ **Cable accesses**, with a semicircular shape, made of die-cast aluminium. Flip-up cover.
- ⑦ **Silent Block**. System that minimize the noise of lifting of the table.

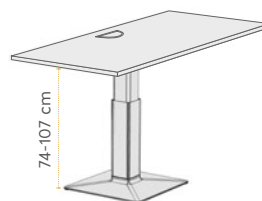
■ TYPE OF DESKS

The Power Tables 300 series offer 2 desk models, depending on the model

FIXED DESK



ELECTRONIC ELEVATION DESK



■ BASE



61 x 61 cm square base, made of die-cast aluminium

■ FINISHES

SURFACES FINISHES



00 White 30 White 11 Lime Oak 10 Light Oak 07 Chesnut 52 White 59 Black

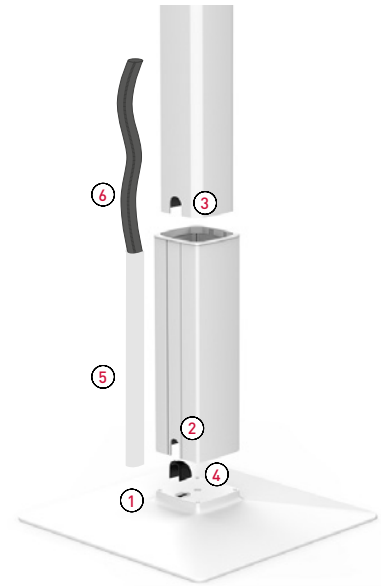
COLUMN / BASE COMBINATION



White Black
White Black

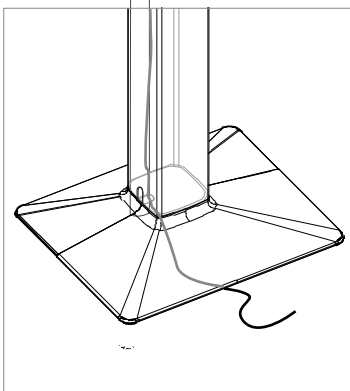
Power incorporates a cabling management system that allows the cabling to be hidden in an efficient and simple way, optimizing its use and avoiding possible accidents caused by bad electrical cabling. In addition, with the help of the rise of metallic wiring and the rise of cloth cables, a visual cleaning of the wiring in the tables is achieved.

- ① **Window** made in the base, to allow the lower passage of the wiring
- ② **Window** made in the external column, which allows the exit of the wiring, for its correct connection with the peripherals deposited in the metallic container.
- ③ **Window** realized in the interior column, that allows the coupling in the polypropylene cable guide placed in the base of the pedestal.
- ④ **Cable guide** made of polypropylene placed at the base of the base of the base.
- ⑤ **Metal riser cables**, with clip-on system in the grooves of the power column, which allows simple wiring guidance, providing visual cleanliness.
- ⑥ **Textile cable riser**, with zipper system, with additional protection against flames and abrasion.



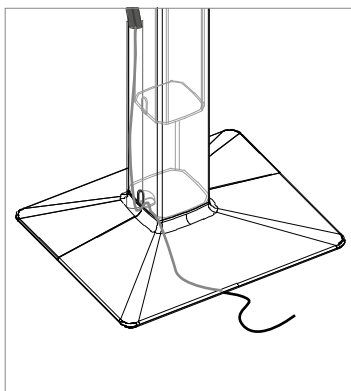
CABLE MANAGEMENT ACCORDING TO POWER MODEL

300 Series - Fixed Height



- ① **Window** made in the base, to allow the lower passage of the wiring.
- ⑤ **Metal riser cables**, with clip-on system in the grooves of the power column, which allows simple wiring guidance, providing visual cleanliness.

300 Series - Elevable Height



- ① **Window** made in the base, to allow the lower passage of the wiring.
- ② **Window** made in the external column, which allows the exit of the wiring, for its correct connection with the peripherals deposited in the metallic container.
- ③ **Window** realized in the interior column, that allows the coupling in the polypropylene cable guide placed in the base of the pedestal.
- ④ **Cable guide** made of polypropylene placed at the base of the base of the base.
- ⑤ **Metal riser cables**, with clip-on system in the grooves of the power column, which allows simple wiring guidance, providing visual cleanliness.
- ⑥ **Textile cable riser**, with zipper system, with additional protection against flames and abrasion.

POWER VIDEO-CONFERENCE



FEATURES

- ① **Structure** realized in melamine board of 25/30 mm of thickness, like support of the work surface.
- ② **Lower container** made of 6 mm-thick steel sheet, with a large capacity for cable accesses.
- ③ **Column:** 150 x 150 mm extruded aluminium.
- ④ **Base:**
- SERIE 300: 610 x 610 mm square base, made of die-cast aluminium. Levellers made of PP.

- ⑤ **Work Surface**, made of 25 mm melamine with 2 mm thick edges, applied with hot melt adhesive and rounded to R = 2 mm. Rounded corners. Different finishes.
- ⑥ **Cable accesses**, with a semicircular shape, made of die-cast aluminium. Flip-up cover.

3 types:

- **Without Power Frame**
- **With Power Frame without Dedicated CPU.** It includes: HDMI + 2 Powers
- **With Power Frame with Dedicated CPU.** It includes: 2 USB- 3.0 + HDMI + Power

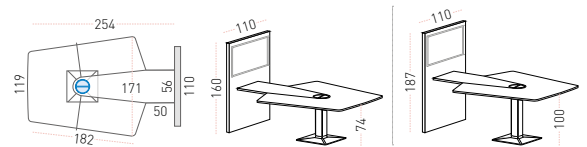
- ① MFC with aluminium frame "TV" panel fixed on table. "TV and wiring not included".
- ② ABS levellers with anti-skid pad for fixed TV Panel.
- ③ **Screen Connection:** It includes:
 - **EU:** 3 power modules - GX30 + Cable with Power GX21
 - **UK:** 3 power modules - GX30L + Cable with Power GX21L
 - **US:** 3 power modules - GX30D + Cable with Power GX21D
- 2 USB- 3.0 elbow
- 2 HDMI elbow
- 4 adhesive support for cables
- 1 screw kit
- ④ Fixing points for monitors as per VESA 200, 300 and 400.
Interior fixing points for CPU (As per VESA 75 and 100).

CONFIGURATION EXAMPLES



SERIE 300

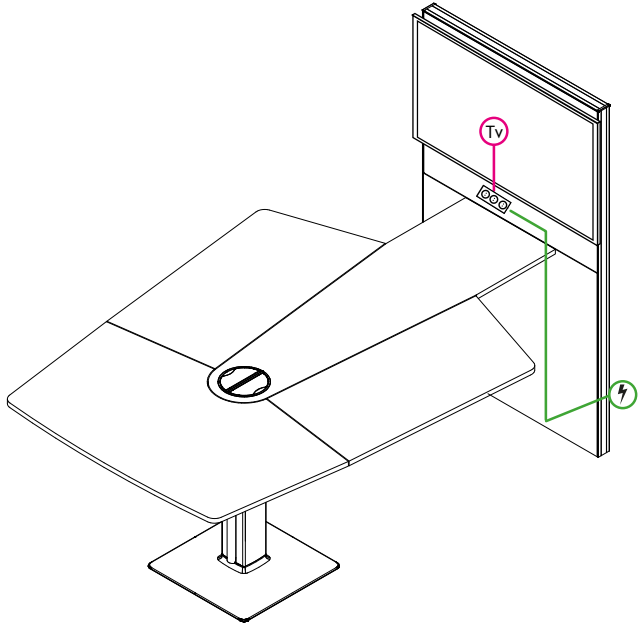
PV91



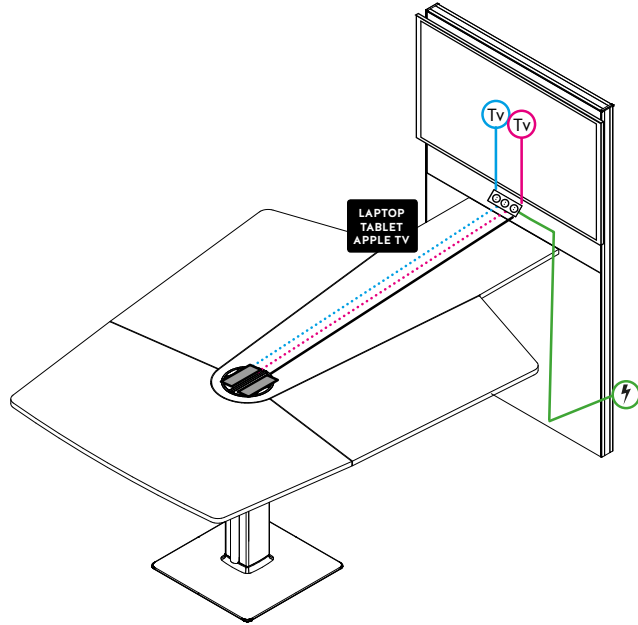
NOTE: Computers and/or Televisions are not included in the price.

POWER VIDEO-CONFERENCE - ELECTRONIC DEVICES

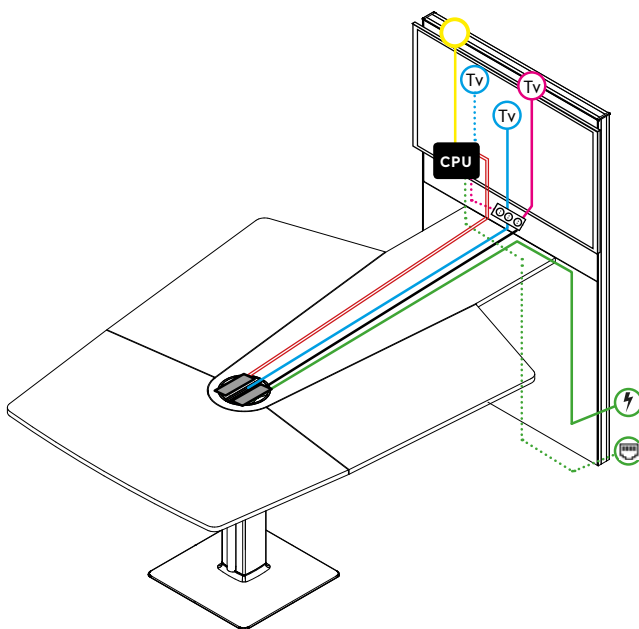
SCREEN WITHOUT POWER FRAME








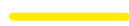





**SCREEN WITH POWER FRAME
 NO CPU
 (HDMI + SCHUKO)**








**SCREEN WITH POWER FRAME
 WITH CPU (not included)
 (HDMI + USB + SCHUKO)**



• **CAPTION**

-  HDMI 1 (This cable connects TV to Power frame)
-  HDMI 2 (This cable connects TV to CPU)
-  TV ELECTRICITY (this cable connects TV to electricity)
-  CPU ELECTRICITY (this cable connects CPU to electricity)
-  USB - 2 UDS. (These cables connect CPU with power frame)
-  WEBCAM (This cable connects webcam with CPU)
-  GENERAL ELECTRICITY (This cable connects multiple connector to electricity)
-  CABLE RED (This cable connects CPU to Ethernet point)
-  PF ELECTRICITY (This cable connects power frame to GX30)
-  GX30 (Located where power frame is connected, tv and the CPU electricity, in the panel)
-  POWER FRAME: USB (2ud) + HDMI (1ud) + Shuko (1ud). (Devices are connected outwardly. HDMI of the tv and 2 USB are connected to CPU inwardly).

CABLE ACCESS DESKS

D WIRING ACCESS	Q WIRING ACCESS	R WIRING ACCESS	U WIRING ACCESS	N WIRING ACCESS
				
MAXIMUM OPENING: 95°	MAXIMUM OPENING: 110°	MAXIMUM OPENING: 180°		
<ul style="list-style-type: none"> Die-cast aluminium lid Die-cast aluminium frame Aluminium guides for adjustment according to the thickness of the surface between 13 and 25 mm Dimensions: 23 x 11,5 cm 	<ul style="list-style-type: none"> Black die-cast aluminium frame Die-cast aluminium lid Aluminium guides for adjustment according to the thickness of the surface between 13 and 30 mm Dimensions: 27,5 x 11,5 cm 	<ul style="list-style-type: none"> Melamine lid of the same finish as the surface Black Bristle Brush Black die-cast aluminium frame Aluminium guides for adjustment according to the thickness of the surface between 13 and 30 mm Complete opening in 180° by means of hinges. Dimensions: 27,5 x 11,5 cm 	<ul style="list-style-type: none"> 80 mm diameter polypropylene cover for wiring to the bottom. The upper part incorporates a small flange for small cable passage and allows the complete cover to be removed for cable passage. Dimensions: Ø 8 cm 	<ul style="list-style-type: none"> High-impact fire-resistant polycarbonate housing. Silver ring as standard Large plastic locking nut that can be tightened by hand Ø79mm 1 x schucko, + 2 USB-charger Dimensions: Ø10,8 x h:15,3cm

- Models with this standard cable access has the icon next to the code
- Desk price with the cable access is as per the attached table.
- To order different desks which the electrification access is not standard, **please check sales team.**
- To order desks with cable access, please add the corresponding letter according to the desired placement, at the end of the reference:

Front centered access	Centered access	N Wiring Access		
Q R U D	QC RC	N1 N2 N3		

COMBINATIONS OF FINISHES OFFERED

IMPORTANT NOTE: The combination of wired access is carried out in the following way:
(If in any case you want the upper access in different finishing established, the customer must indicate it on the order.)

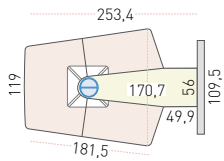
Combinaciones Superficie/Estructura	D / Q / U - WIRING ACCESS	
	Flip-up door / cover finish	
	White	Black
Surface: White Structure: Any Finish	●	
Surface: Any Finish - (Not White) Structure: White	●	
Surface: Any Finish - (Not White) Structure: Black		●

Combinations Surface/Structure	R WIRING ACCESS
	Flip-up door / cover finish
	Finish Cover in the same colour as the surface
Surface: Any Finish Structure: Any Finish	●

Combinations Surface/Structure	N WIRING ACCESS
	Wiring access finish
	White
Surface: Any Finish Structure: Any Finish	●

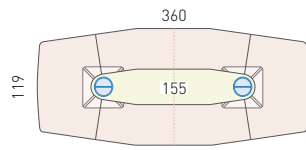
SURFACE AND STRUCTURE COMBINATIONS AVAILABLE FOR MEETING AND VIDEOCONFERENCE TABLES

VIDEO-CONFERENCE TABLE

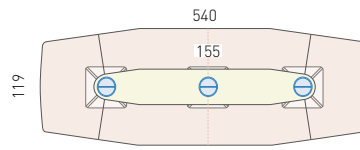


PV91

MEETING TABLES



PV48



PV58



Perimeter Surface: **White**
 Central Surface: **Black Anti-fingerprint**
 Access to wiring: **White**
 Structure: **White**



Perimeter Surface: **White**
 Central Surface: **Black Anti-fingerprint**
 Access to wiring: **Black**
 Structure: **Black**



Perimeter Surface: **Lime Oak**
 Central Surface: **White**
 Access to wiring: **White**
 Structure: **White**



Perimeter Surface: **Lime Oak**
 Central Surface: **Black Anti-fingerprint**
 Access to wiring: **Black**
 Structure: **Black**



Perimeter Surface: **Light oak**
 Central Surface: **White**
 Access to wiring: **White**
 Structure: **White**



Perimeter Surface: **Light oak**
 Central Surface: **Black Anti-fingerprint**
 Access to wiring: **Black**
 Structure: **Black**



Perimeter Surface: **Chesnut**
 Central Surface: **White**
 Access to wiring: **White**
 Structure: **White**



Perimeter Surface: **Chesnut**
 Central Surface: **Black Anti-fingerprint**
 Access to wiring: **Black**
 Structure: **Black**

OPTIONAL FOR PROJECTS

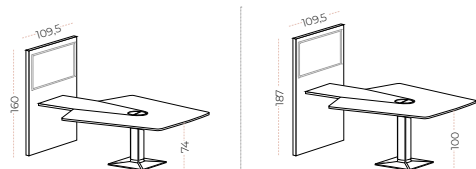
Black anti-fingerprint MFC

For Projects that require surfaces in black anti-fingerprint MFC, consult SALES DEPARTMENT.

Example of an order

Model	Finish Structure	Finish Surface	Pannel Connection	Video-Conference Panel Finishing	Final Reference
PV91F Video-Conference Table Fixed desk Height 74 cm	00 White Column White Leg	00 MFC White	5 Power Frame Without PC De- dicated EU Connection	5 White Profile White Frontal	PV91F000050

VIDEO-CONFERENCE TABLE



		<p>PV91</p>			
Modelo Medidas (A x B)		<p>FIXED HEIGHT HEIGHT 74 cm INCLUDED ACCESS TO WIRING AND CABLE TRAY PV91F</p>		<p>FIXED HEIGHT HEIGHT 100 cm INCLUDED ACCESS TO WIRING AND CABLE TRAY PV91G</p>	
Structure		White	00	2.857,40	2.879,80
		Black	08		
Surface	MFC		White	00	
			Lime Oak	11	
			Light Oak	10	
			Chesnut	07	
Connection system	Without Power Frame	US-120v	1		
		EU-220v	2		
		UK-220v	3		
	Power Frame Without PC Dedicated 2 units	US-120v	4	+ 509,60	+ 509,60
		EU-220v	5		
		UK-220v	6		
	Power Frame With PC Dedicated 2 units	US-120v	7	+ 725,20	+ 725,20
		EU-220v	8		
		UK-220v	9		
Video-Conference Panel Finishing	White Profile Frontal White	0			
	White Profile Frontal Black	8			

- Included Access to wiring
- Coding required to configure reference.
They do not mean an increase in cost
- Combination not available.

OPTIONAL FOR PROJECTS

Black anti-fingerprint MFC

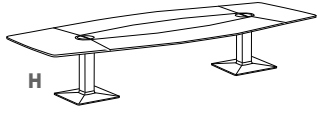


For Projects that require surfaces in black anti-fingerprint MFC, consult SALES DEPARTMENT.

Example of an order

Model	Finish Structure	Finish Surface	Final Reference
PV48F Meeting table Fixed height - 74 cm 360 x 119 cm	00 White Column White Leg	00 MFC White	PV48F0000

MEETING TABLES



Model Dimensions (A x B)		PV48 	PV58
		FIXED HEIGHT HEIGHT 74 cm INCLUDED ACCESS TO WIRING AND CABLE TRAY PV48F	FIXED HEIGHT HEIGHT 74 cm INCLUDED ACCESS TO WIRING AND CABLE TRAY PV58F
Structure	White 00	4.076,80	6.115,20
	Black 08		
Surface MFC	White 00		
	Lime Oak 11		
	Light Oak 10		
	Chesnut 07		

- Included Access to wiring
- Coding required to configure reference.
They do not mean an increase in cost
- Combination not available.

OPTIONAL FOR PROJECTS

Black anti-fingerprint MFC

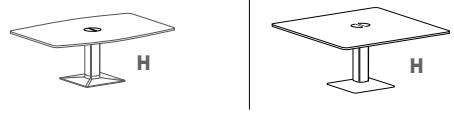


For Projects that require surfaces in black anti-fingerprint MFC, consult SALES DEPARTMENT.

Prices shown are not the final selling price.
To obtain the list price, multiply the price by 3.25.
Prices effective as August 2022.

Example of an order				
Model	Finish Structure	Finish Surface	Plug System	Final Reference
PV17F Meeting table Fixed desk height - 74 cm 200 x 120 cm	00 White Column White Leg	00 MFC White	6 EU Plug System	PV17F00006

MEETING TABLES



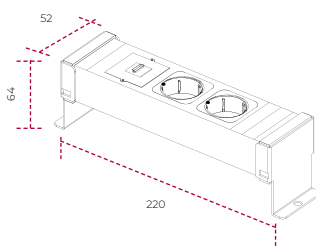
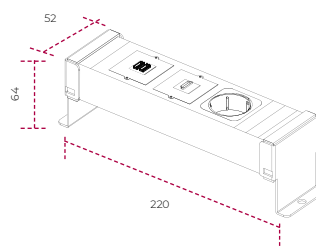
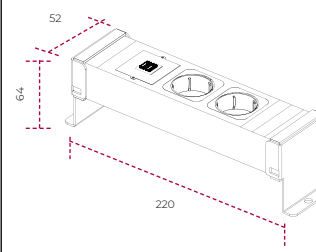
Model Dimensions (A x B)		PV17	PV43			
Finish Structure / Leg		FIXED HEIGHT HEIGHT 74 cm PV17F	FIXED HEIGHT HEIGHT 74 cm PV43F	ELEVATION DESK HEIGHT 74-107 cm PV43N		
Structure	White 00	1.426,60	1.433,60	2.263,80		
	Black 08					
Surface	MFC	White 00				
		Lime Oak 11				
		Light Oak 10				
		Chesnut 07				
	C.Laminat	White 30	+ 484,40	+ 484,40		
Electronic elevation desk	Plug System	US-120v 5				
		EU-220v 6				
		UK-220v 7				
Cable Access	Optional	MFC	D	+ 81,20	+ 81,20	+ 81,20
			Q	+ 120,40	+ 120,40	+ 120,40
			R	+ 159,60	+ 159,60	+ 159,60
			QC		+ 60,20	+ 60,20
			RC		+ 79,80	+ 79,80
			Compact Laminat	D	+ 81,20	+ 81,20
	Q			+ 126,00	+ 126,00	
	QC			+ 63,00	+ 63,00	

Optional Access to wiring
 Combination not available.
 Will be discontinued once the stocks finished
Coding required to configure reference.
They do not mean an increase in cost

OPTIONAL FOR PROJECTS

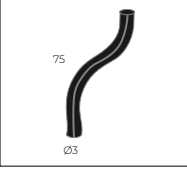

Black anti-fingerprint MFC
For Projects that require surfaces in black anti-fingerprint MFC, consult SALES DEPARTMENT.

ELECTRIFICATION KIT- Powerframe

Model Dimensions (A x B)	GXB01 	GXB02 	GXB03 
	2 Plug + 1 HDMI For Power desks - SERIE 100 & 300 Includes cable for connection - 2 mts. GXB01	1 Plug + 1 HDMI + 2 USB For Power desks - SERIE 100 & 300 Includes cable for connection - 2 mts. GXB02	2 Plug + 2 USB For Power desks - SERIE 100 & 300 Includes cable for connection - 2 mts. GXB03

Connection system	Power Frame Without PC Dedicated	US-120v	4	205,80	319,20	254,80
		EU-220v	5	191,80	305,20	240,80
		UK-220v	6	218,40	331,80	267,40

TEXTILE CABLE RISE

Model Dimensions (A x B)	3943 			
	Braided textile wrap with zipper for quick and easy installation. Offers additional protection against flames and abrasion			
	Pack 1 Unit	Pack 4 Units		
	39431	39434		
Textile	 Black	8	29,40	112,00