

Bases & side tables

Overview



Square poufs



Square or rectangular seat bases



Seat bases w/ circular end



Rectangular side tables



Square side tables



Circular poufs



Curved poufs



90° round corner seats

Modules with backrest



Square or rectangular modules + backrest



Square or rectangular modules + corner backrest



Modules with circular ends + backrest



Modules with circular ends + side backrest



Modules with circular ends + corner backrest

Arms

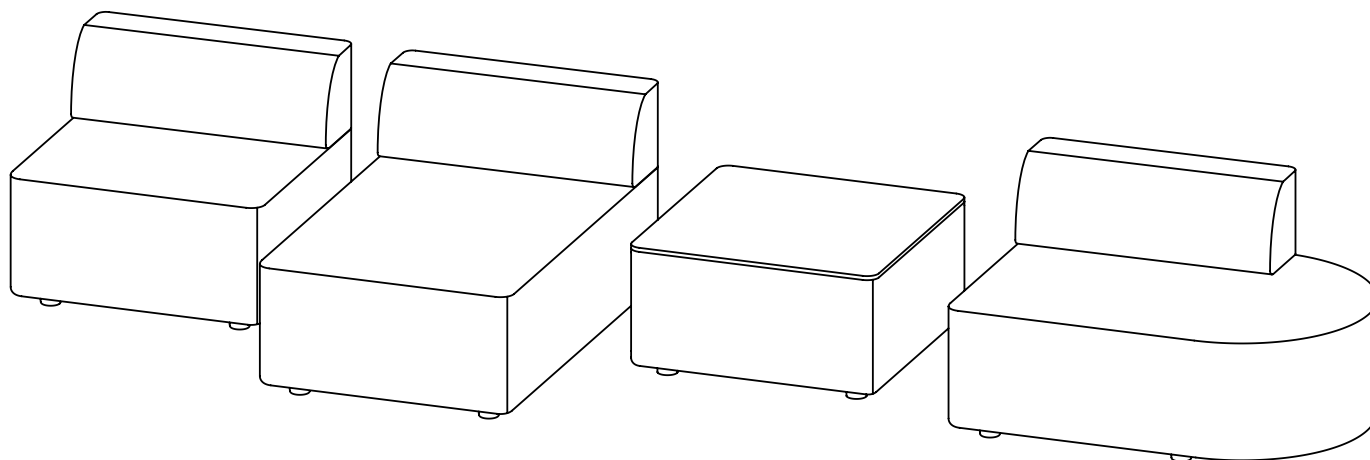


20cm wide arms



50cm wide arms

The ENTROPY collection is made up of different modules and accessories that can be combined to form modular compositions:



SEAT MODULES WITHOUT BACKREST

1 CHOOSE THE DIMENSION YOU NEED
There are the following types of modules to choose from:

Square or rectangular modules Modules with circular ends Rounded corner seats Curved poufs Circular poufs Square poufs

2 CHOOSE THE UPHOLSTERY MATERIAL
The seats and backrests can be upholstered in all the fabrics indicated in the finishes book. The price list of each model shows the prices in the different upholstery grades.

G2	G3	G4	G5	G6	G7
----	----	----	----	----	----

SEAT MODULES WITH BACKREST

1 CHOOSE THE DIMENSION YOU NEED
There are the following types of modules to choose from:

Square or rectangular modules + backrest Square or rectangular modules + corner backrest Modules with circular ends + backrest Modules with circular ends + side backrest Modules with circular ends + corner backrest

2 CHOOSE THE FINISH OF THE BACKREST METAL STRUCTURE
The price varies depending on the chosen finish. The price matrix shows the price according to the different metal finishes:

Backrest structure finishes
Colours M1
Colours M2

3 CHOOSE THE UPHOLSTERY MATERIAL
The seats and backrests can be upholstered in all the fabrics indicated in the finishes book. The price matrix of each model shows the prices in the different upholstery grades.

G2	G3	G4	G5	G6	G7
----	----	----	----	----	----

SIDE TABLE MODULES

- 1** CHOOSE THE TABLE DIMENSION YOU NEED
There are the following sizes to choose from:



50x75cm

50x95cm

75x75cm

75x95cm

95x95cm

- 2** CHOOSE THE TABLETOP MATERIAL AND ITS FINISH
The ENTROPY tabletops are available in the following materials:

Oak
natural/stained

Walnut
natural

Lacquered MDF
colours W1

Lacquered MDF
colours W2

The price list shows the price according to the different wooden finishes available.

- 3** CHOOSE THE UPHOLSTERY MATERIAL
The tables can be upholstered in all the fabrics indicated in the finishes book. The price list of each model shows the prices in the different upholstery grades.

G2	G3	G4	G5	G6	G7
----	----	----	----	----	----

ARMS

- 1** CHOOSE THE VERSION YOU NEED
There are two sizes of arms to choose from:



20cm wide arm: it is available in 2 depths: 75cm and 95cm. It must be fixed to the module.



50cm wide arm: it is available in 2 depths: 75cm and 95cm. It is an independent module.

- 2** CHOOSE THE UPHOLSTERY MATERIAL
The arms can be upholstered in all the fabrics indicated in the finishes book. The price matrix of each model shows the prices in the different upholstery grades.

G2	G3	G4	G5	G6	G7
----	----	----	----	----	----

- +** **OPTIONAL ITEMS & ACCESSORIES** (page 171)
Optionally, electrification elements to install on the tables and linking clips (to join modules from the sides or backs) are available.

***Remark:** In order to avoid mistakes, it is necessary to attach a sketch of the composition to the order.