

Prices shown are not the final selling price.
To obtain the list price, multiply the price by 2.65.
Prices effective as May 2025.

TALENT
— By Alegre Design —



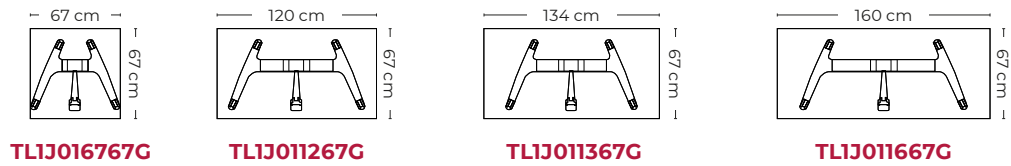
Talent Serie 500



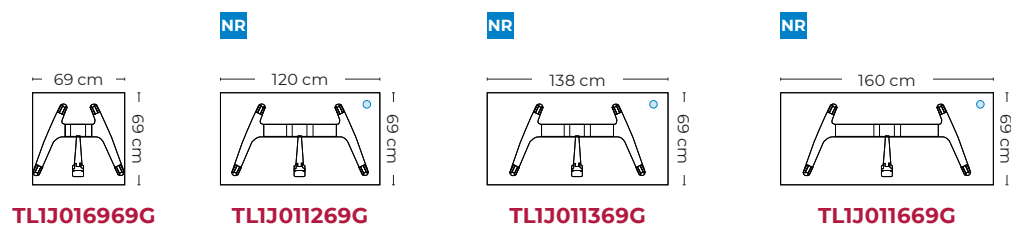
Table program

Talent 500 · Lift-up tables with castors & folding desk-top

Straight desks · Width 67 cm

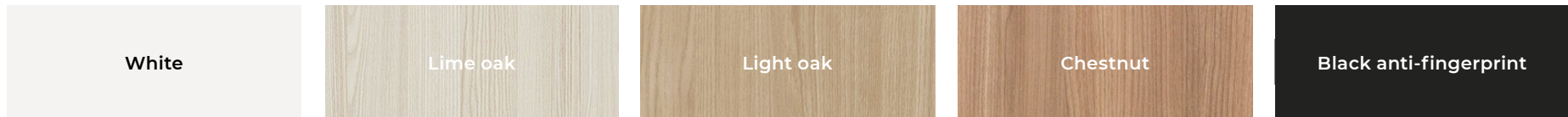


Straight desks · Width 69 cm



Finishes available

Surface



Structure



Talent Series 500 · Features, functionalities and add-ons



- 1 25 mm melamine surface with PVC edge and rubber cushioning.
- 2 Folding desk top with locking/unlocking system.
- 3 Aluminum injection bracket in white and black finish with an epoxy paint coating.
- 4 Elbow for joining columns and beams in die-cast aluminum.
- 5 Polypropylene protective trim.
- 6 Table lifting system by means of a compensated gas pump.
- 7 73x70 and e=2 mm extruded aluminum recessed beam, with stop for safety support of the deck.
- 8 Telescopic central column in extruded aluminum with two sections of 110x80 and 100x70 mm and e=2 mm, with elevation by gas cylinder, in white and black finish with an epoxy paint coating.
- 9 Feet with lateral connection, made of aluminum injection in white and black finish coated with epoxy paint.
- 10 Stacking protection on feet.
- 11 Black castors of 65 mm diameter. 2 with brake and 2 without brake.

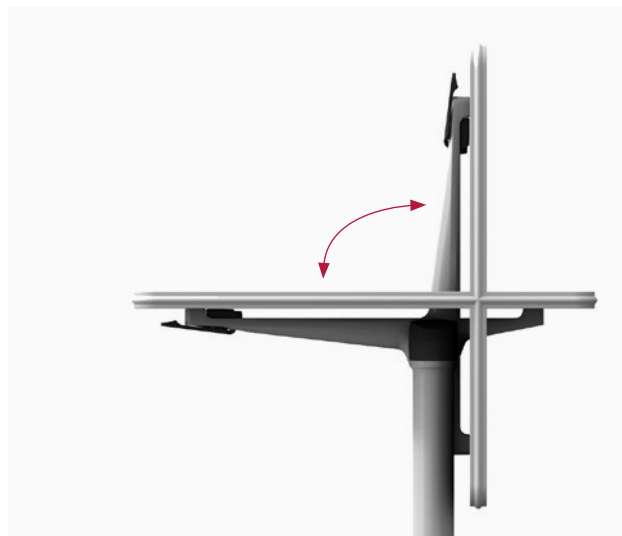
Lifting system

The 500 series has a push button under the table top, easily accessible, which allows the table to be raised by means of a gas pump. Height range: 74-104 cm.



Folding the desk top desk-top

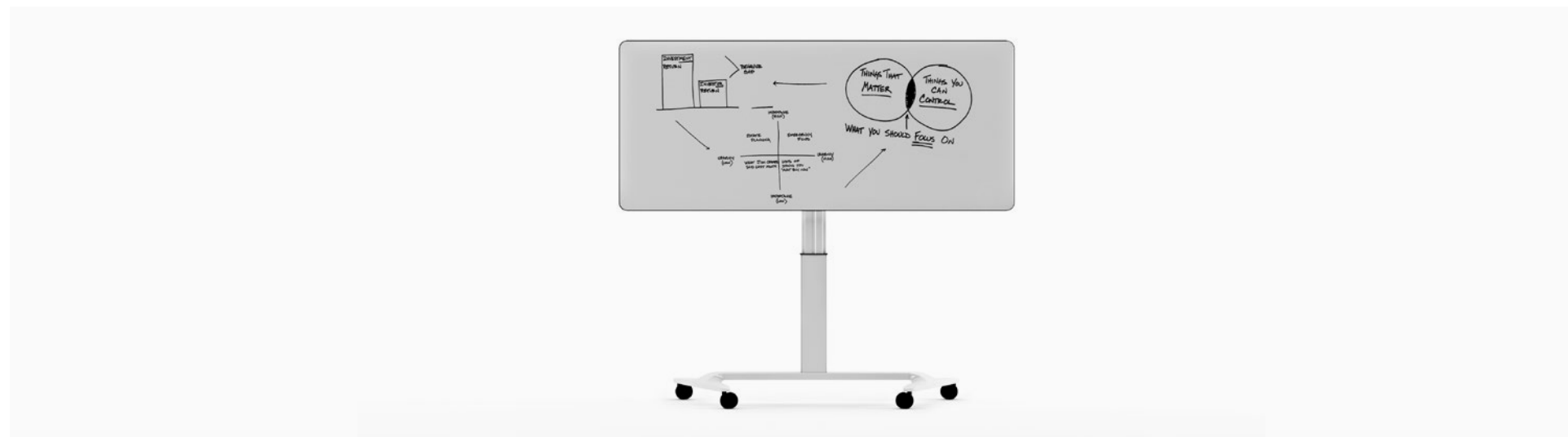
The 500 series offers a folding system of the work surface, by means of a system in the brackets, with unlocking and locking position of the mechanism. At the same time, this folding system allows the tables to be stacked in a space-saving manner. The tables are equipped with a stacking protector at the feet.



Locking/unlocking system of the work surface folding in 2 positions.

Laminated writing surface

24 mm laminated surface with PVC edge and shock-absorbing rubber. Melamine surface laminated in white. For correct writing and long-lasting durability of the table surface, the use of dry-erase markers is recommended. Easy and clean erasure with a simple cloth or eraser, even when the writing has been done for some time. The use of chemical products for cleaning the surface is not recommended.



Talent Desks with connectivity without detracting from mobility



- 1 All models, as standard, incorporate an integrated connection access in the table surface, with a round, flat, minimalist-looking plug integrated into the table. 1 x Schucko + 2 USB charger. Dimensions: Ø10,8 x h:15,3cm.
- 2 Hook made of 3 mm thick steel plate, anchored to the bracket with the capacity to collect the wiring in a simple and clean way.
- 3 Metallic wiring riser, made of 0.8 mm thick steel plate anchored to the column without reducing mobility (elevation), which allows easy cable routing, providing visual cleanliness.
- 4 Built-in 3m long cable wrapped in a textile wiring harness, with zipper system, with additional protection against flame and abrasion.



How to code a reference correctly



- 1 At the beginning of the coding and price tables of our price list, you will find the available models and their prices, as well as the basic reference of the product.
- 2 The system is designed to code vertically, adding desired components to the product by selecting the reference digits. Creating a correlation that will form the final order reference.
- 3 The finishes of arms, bases, optional complements, supports and upholstery will be shown in different colors so that the location of their reference and price is intuitive.
- 4 At the end of each table we will have legends or informative notes about the product being offered. Please read carefully to avoid confusion or mistakes when ordering.
- 5 This catalog has an interactive menu that will facilitate the user's navigation. It is located at the bottom of each page and from it you can go to the index, go back or even navigate within the family and the product displayed.

Example of reference configuration for an order

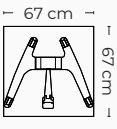
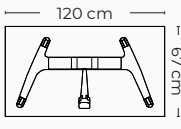
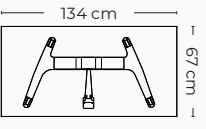
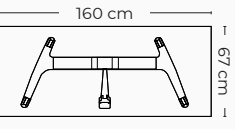
MODEL	
Talent · Series 500	TL1
Single straight table with folding top	J01
Measures: 138 x 69 cm	1369
Gas height adjustment: 74 to 104 cm	G
TYPE OF STRUCTURE	
Central column + Foot	H
SUPPORT	
Wheels	J
SURFACE FINISH	
MFC · Light Oak	M10
STRUCTURE FINISH	
White	00
FINAL CONFIGURATION REFERENCE	
TL1J011369G H J M10 00	



Comprehension legend

	Required for reference configuration. Does not increase the cost		Combination not available
	Upholstery with service conditions. Go to the finishing page		Removed after stocks are depleted

* The final cost of the module will be obtained starting from the established base price and adding to it the cost of the different complements that are added to it.

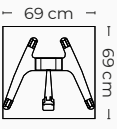
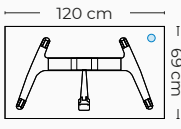
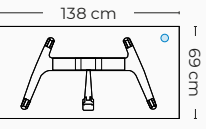
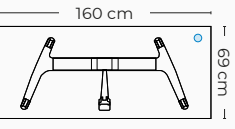
Talent Serie 500 · Width 67 cm Elevable table with castors and flip top					
	MEASURES	67 x 67 cm	120 x 67 cm	134 x 67 cm	160 x 67 cm
	ADJUSTABLE HEIGHT	Elevable table 74 to 104 cm	Elevable table 74 to 104 cm	Elevable table 74 to 104 cm	Elevable table 74 to 104 cm
	REFERENCE	TL1J016767G	TL1J011267G	TL1J011367G	TL1J011667G

TYPE OF STRUCTURE					
Central column + Foot	H	1.031,80	1.115,80	1.139,60	1.212,40

SUPPORT					
Castors	J				

SURFACE FINISH					
MDF · Black Anti-Fingerprint	M03				

STRUCTURE FINISH					
Columns	Feets	Ref.	↓	↓	↓
White		00			
Black		08			

Talent Serie 500 · Width 69 cm Elevable table with castors and flip top					
	MEASURES	69 x 69 cm	120 x 69 cm	138 x 69 cm	160 x 69 cm
	ADJUSTABLE HEIGHT	Elevable table 74 to 104 cm	Elevable table 74 to 104 cm	Elevable table 74 to 104 cm	Elevable table 74 to 104 cm
	REFERENCE	TL1J016969G	TL1J011269G	TL1J011369G	TL1J011669G

TYPE OF STRUCTURE					
Central column + Foot	H	981,40	1.024,80	1.050,00	1.073,80

SUPPORT					
Castors	J				

SURFACE FINISH					
MFC · White	M00				
MFC · Lime Oak	M11				
MFC · Light Oak	M10				
MFC · Chestnut	M07				
Writable HPL · White	E20	+ 79,80	+ 102,20	+ 105,00	+ 112,00

STRUCTURE FINISH					
Columns	Feets	Ref.	↓	↓	↓
White		00			
Black		08			

OPTIONAL WIRING ACCESS						
MFC 1 Schuko + 2 USB connection system Includes cable management system	EU 220V	NREU		+ 858,20	+ 858,20	+ 858,20
	US 120V	NRUS		+ 858,20	+ 858,20	+ 858,20
	UK 220V	NRUK		+ 858,20	+ 858,20	+ 858,20