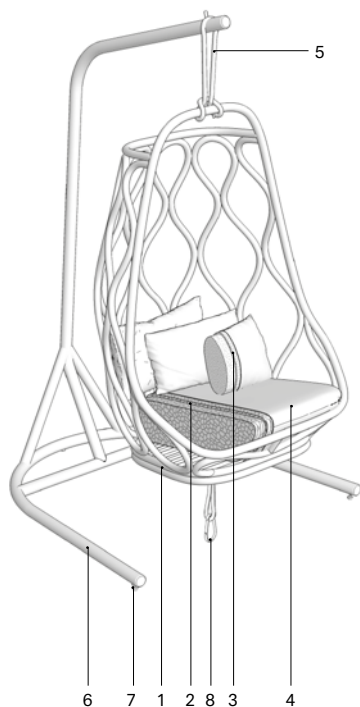


Nautica Outdoor

Manufacturer: Expormim, Spain

Nautica Outdoor Mut design, 2013



- 1 Structure made of high resistance aluminum tube finished with polyester powder.
- 2 Expanded poliurethane seat cushion with removable waterproof and fireproof cover made of polyester with special anti-mould and anti-bacterial treatment.
- 3 Back cushions padded with polyester fibre with removable waterproof and fireproof cover made of polyester with special anti-mould and anti-bacterial treatment.
- 4 Removable seat and back cushions upholstered in G01, G02, G03 technical fabrics.
- 5 Braided polyester rope is provided to hang the swing chair.
- 6 Base made of high resistance aluminum tube finished with polyester powder.
- 7 Adjustable PA spacers.
- 8 Optional anti-swing (braided polyester rope + carabiner).

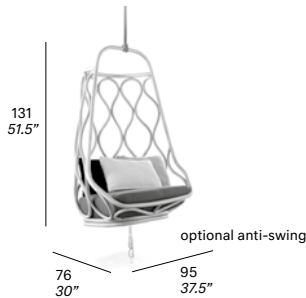
Nautica Outdoor

Manufacturer: Expormim, Spain



REF ARTICLE OPTIONS TOTAL (CAD\$)

C360 "Nautica outdoor" swing chair



FRAME

fine textured

- 108 FT oxide, 110 FT bronze, 111 FT graphite, 113 FT sage, 120 FT off white, 122 FT pearl grey, 124 FT linen, 128 FT canyon red

cushions

(3 cushions 50x32 cm included)

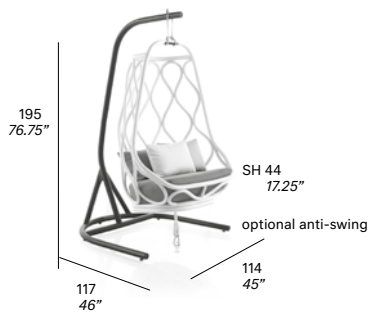
- G01 7,005
- G02 7,212
- G03 7,785
- COM (1,40 / 1,50 > 1,80 m + 1,5 m) 7,005

protective cover + 1,359

anti-swing option + 870

14 kg — 19 kg / 1,04 m³

C361 "Nautica outdoor" swing chair with base



FRAME & BASE

fine textured - frame

- 108 FT oxide, 110 FT bronze, 111 FT graphite, 113 FT sage, 120 FT off white, 122 FT pearl grey, 124 FT linen, 128 FT canyon red

fine textured - base

- 108 FT oxide, 110 FT bronze, 111 FT graphite, 113 FT sage, 120 FT off white, 122 FT pearl grey, 124 FT linen, 128 FT canyon red

cushions / confección / coussins / Kissen

(3 cushions 50x32 cm included)

- G01 12,375
- G02 12,582
- G03 13,155
- COM (1,40 / 1,50 > 1,80 m + 1,5 m) 12,375

anti-swing option + 870

40 kg — 56 kg / 3,30 m³ — 12

COM Orders are subject to following charges per manufacturer: \$22 per yard (any fabric) - Minimum: \$220.

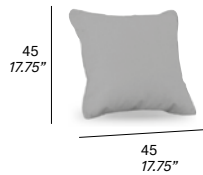
Nautica Outdoor

Manufacturer: Expormim, Spain

Decorative Cushions

| REF | ARTICLE | OPTIONS | TOTAL (CAD\$) |
|-----|---------|---------|---------------|
|-----|---------|---------|---------------|

C997 Cushion

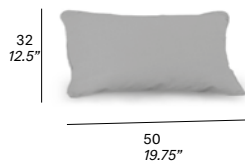


| | |
|-------------------------------|-----|
| · G01 | 207 |
| · G02 | 267 |
| · G03 | 366 |
| · Limonta decorative cushions | 267 |
| · COM (1,40 / 1,50 > 0,50 m) | 207 |

FR polyester fibre +15

0,34 kg — 0,35 kg / 0,03 m³

C986 Rectangular cushion



| | |
|-------------------------------|-----|
| · G01 | 198 |
| · G02 | 258 |
| · G03 | 357 |
| · Limonta decorative cushions | 258 |
| · COM (1,40 / 1,50 > 0,40 m) | 198 |

FR polyester fibre +15

0,29 kg — 0,30 kg / 0,02 m³

COM Orders are subject to following charges per manufacturer: \$22 per yard (any fabric) - Minimum: \$220.



Tusch Seating International Inc.
251 Bartley Dr. Unit #4
Toronto, ON M4A 2N7 Canada
www.tuschseating.com

T 416.368.6100
F 416.368.4477
T 888.368.6101
info@tuschseating.com